



FAL – Fabryka Armatury Sp. z o.o.

ul. Koniecpolska 38, 04-267 Warszawa


Zakład produkcyjny: ul. Jedności Narodowej 9, 74-240 Lipiany

tel.: (0048) 91 564 11 59; tel./fax: (0048) 91 564 13 79; e-mail: fal@fal.pl, <http://www.fal.pl>

FIG 11/V - Zasuwy do wody pitnej / Gate valves for drinking water / Schieber für das Trinkwasser

PN 4; PN 6; PN 10; PN 16



 **Zasuwa kołnierzowa klinowa płaska z uszczelnieniem oringowym – bezobsługowa / DIN 3352**

ZASTOSOWANIE

| Temperatura | Ciśnienie MPa |
|--------------|--------------------|
| 423K (150°C) | 0,4; 0,6; 1,0; 1,6 |

- owiercenie PN-EN 1092-2
- długość budowy EN 558-1 szereg 14
- Atest Higieniczny PZH – HK/W/8091/01/2009
- Farba epoksydowa RAL5017 250 µm



Flanged flat wedge gate valve of cast iron – conservation free / DIN 3352

APPLICATION

| Temperature | Pressure MPa |
|--------------|--------------------|
| 423K (150°C) | 0,4; 0,6; 1,0; 1,6 |

- flange drilled according to DIN 2501
- F to F dimension DIN 3202F₄
- Hygienic attest by PZH – HK/W/8091/01/2009
- Epoxide paint RAL5017 250 µm



Flanschen-Keilflachschieber aus Gusseisen – wartungsfrei / DIN 3352

VERWENDUNGSBEREICH

| Temperatur | Druck MPa |
|--------------|--------------------|
| 423K (150°C) | 0,4; 0,6; 1,0; 1,6 |

- baulänge nach DIN 3202F₄
- Hygienische Atest PZH – HK/W/8091/01/2009
- Epoxyemalie RAL5017 250 µm

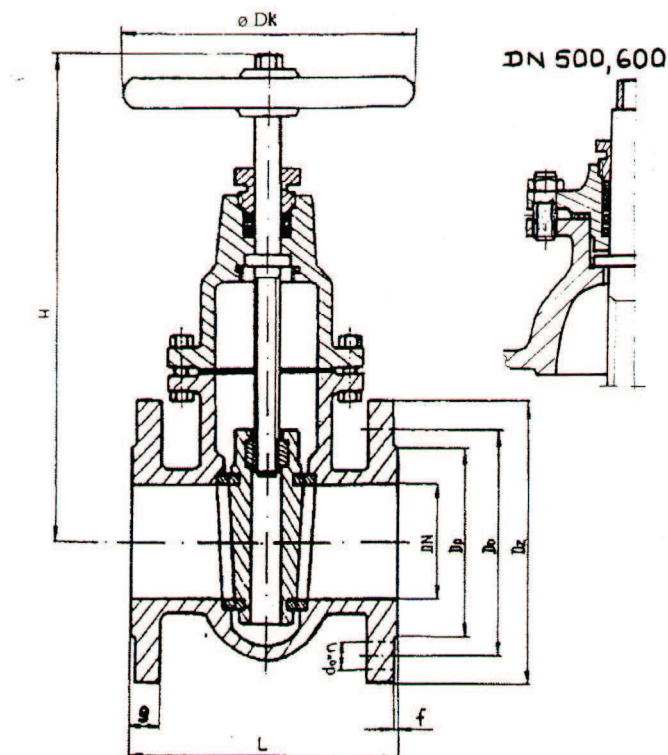


CONDITION DE SERVICE

| Température | Pression MPa |
|-------------|--------------|
|-------------|--------------|

:: Materiały :: Materials :: Werkstoffe :: Matières ::

| | Wariant / Execution / Variante / Execution | 1 | 2 |
|---|---|------------------------------------|---|
| 1 | Kadłub / Body / Gehäuse / Corps | EN-GJL-250 (EN 1561 : 2000) | |
| 2 | Pokrywa / Bonnet / Deckel / Couverele | | |
| 3 | Klin / Wedge / Kell / Opucule | | |
| 4 | Kółko / Handwheel / Handrad / Volant á main | | |
| 5 | Pierścień klina i kadłuba / Body and wedge packing rings / Gehäuse und Kaidichtungsringe / Bagues d'étanchéité du corps et de l'opucule | CuZn39Pb2 PN – EN 1982 : 2002 | D40 : 200 X20Cr13 (EN 10088-3 : 1998) |
| 6 | Nakrętka trzpienia / Steam nut / Spindelmutter / Écrou de la tige | CuZn39Pb2 (PN – EN 1982 : 2002) | |
| 7 | Trzpień / Steam / Spindel / Tige | X20Cr13 (EN 10088 – 3), DIN 1.4021 | |



| DN | PN/bar | Dz | Do | Dp | L | g | do | n | f | H | Dk | kg |
|-----|--------|-----|-----|-----|-----|----|----|------|---|------|-----|--------|
| 40 | 10/16 | 150 | 110 | 88 | 140 | 18 | 18 | 4 | 3 | 222 | 160 | 9,80 |
| 50 | 10/16 | 165 | 125 | 102 | 150 | 20 | 18 | 4 | 3 | 227 | 160 | 10,80 |
| 65 | 10/16 | 185 | 145 | 122 | 170 | 20 | 18 | 4 | 3 | 263 | 180 | 18,40 |
| 80 | 10/16 | 200 | 160 | 138 | 180 | 22 | 18 | 8 | 3 | 290 | 180 | 21,70 |
| 100 | 10/16 | 220 | 180 | 158 | 190 | 22 | 18 | 8 | 3 | 335 | 200 | 27,50 |
| 125 | 10/16 | 250 | 210 | 188 | 200 | 24 | 18 | 8 | 3 | 363 | 240 | 35,50 |
| 150 | 10/16 | 285 | 240 | 212 | 210 | 24 | 22 | 8 | 3 | 407 | 240 | 44,42 |
| 200 | 10/16 | 340 | 295 | 268 | 230 | 26 | 22 | 8/12 | 3 | 485 | 320 | 75,60 |
| 250 | 6 | 395 | 350 | 320 | 250 | 28 | 22 | 12 | 3 | 578 | 360 | 98,90 |
| 300 | 6 | 445 | 400 | 370 | 270 | 28 | 22 | 12 | 4 | 675 | 360 | 143,40 |
| 350 | 4 | 505 | 460 | 430 | 290 | 30 | 22 | 16 | 4 | 840 | 360 | 219,40 |
| 400 | 4 | 565 | 515 | 482 | 310 | 32 | 26 | 16 | 4 | 905 | 360 | 266,40 |
| 500 | 4 | 670 | 620 | 585 | 350 | 34 | 26 | 20 | 4 | 1155 | 500 | |
| 600 | 2,5 | 780 | 725 | 685 | 390 | 36 | 30 | 20 | 5 | 1300 | 500 | |